

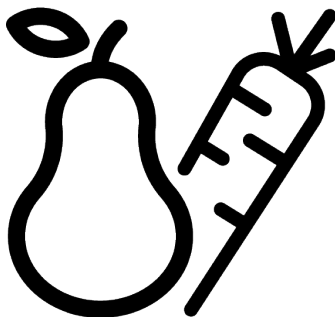
Whirlpool

Refrigerator

User Manual

ثلاجة

دليل المستخدم



WTMF 706502 XSA

®/TM/© 2024 Whirlpool. Produced under license_®/TM/© 2024
Whirlpool. تم إنتاجه بموجب ترخيص.

15 7550 0135/ EN AR / AC/ 2/11/2025 9:01 AM
7268440180



الورق المعاد تدويره
والقابل لإعادة التدوير



RECYCLED &
RECYCLABLE PAPER

Table of Contents

1 Environmental Instructions	4
1.1 Disposal Of Packaging Materials .	4
2 Your Refrigerator	4
3 Installation.....	5
3.1 Right Place For Installation.....	5
3.2 Electrical Connection	5
3.3 Attaching the Plastic Wedges	5
3.4 Adjusting the Legs.....	5
3.5 Hot Surface Warning.....	6
4 Preparation	6
4.1 What To Do For Energy Saving	6
4.2 First Use	6
4.3 Climate Class and Definitions	6
5 Control Panel of the Product	7
6 Operating the Product.....	9
6.1 Replacing the Illumination Lamp..	10
6.2 Storing Food in the Freezer and Cooler Compartment.....	10
7 Door Open Alert	12
8 Product Features	13
8.1 The ice storage area.....	13
8.2 Egg holder	13
8.3 Crisper	13
8.4 Humidity Controlled Crisper	13
9 Maintenance and Cleaning	13
10 Troubleshooting.....	14

Please read this manual first!

Dear Customer

Thank you for choosing this product.

Please register your products on www.register10.eu

We would like you to achieve the optimal efficiency from this high quality product which has been manufactured with state of the art technology. To do this, carefully read this manual and any other documentation provided before using the product.

Heed all information and warnings in the user manual. This way, you will protect yourself and your product against the dangers that may occur. Keep the user manual. Include this manual with the product if you hand it over to someone else.

The following symbols are used in the user manual and on the product:




Read the user manual.



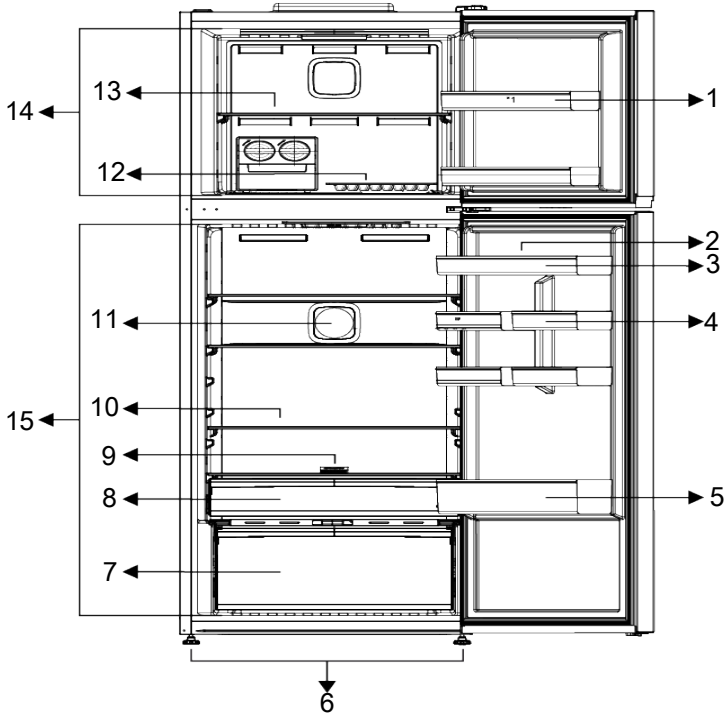
1 Environmental Instructions

1.1 Disposal Of Packaging Materials

The packaging material is recyclable and is marked with the recycle symbol .

The various parts of the packaging must therefore be disposed of responsibly and in full compliance with local authority regulations governing waste disposal.

2 Your Refrigerator



- | | |
|--|--|
| 1 *Freezer compartment door shelves | 2 Egg holder |
| 3 *Cooler compartment door shelves | 4 *Cooler compartment small door shelves |
| 5 *Bottle shelf | 6 Adjustable legs |
| 7 Crisper, crisper separator and ethylene filter | 8 Dairy (cold storage) drawer |
| 9 Filter | 10 *Cooler compartment glass shelves |
| 11 Fan | 12 *Icematic/ ice storage box |
| 13 Freezer compartment glass shelf | 14 Freezer compartment |
| 15 Cooler compartment | |

***Optional:** Figures in this user manual are schematic and may not exactly match your product. If your product does not comprise the relevant parts, the information pertains to other models.

3 Installation


Read the "Safety Instructions" first!

3.1 Right Place For Installation


Contact the Authorized Service for the product's installation. To prepare the product for installation, see the information in the user manual and make sure the electric and water utilities are as required. If not, call an electrician and plumber to arrange the utilities as necessary.


- Place the product on a flat surface to avoid vibration
- Place the product at least 30 cm away from the heater, stove and similar sources of heat and at least 5 cm away from electric ovens.
- When placing two coolers in adjacent position, leave at least 4 cm distance between the two units.
- Keep the product out of direct sunlight and in a dry place.
- Check if the rear wall clearance protection component is present at its location (if provided with the product).

3.2 Electrical Connection

 Do not use extension cables or multi sockets in power connection.

 Damaged power cable must be replaced by Authorized Service.

 When placing two coolers in adjacent position, leave at least 4 cm distance between the two units.

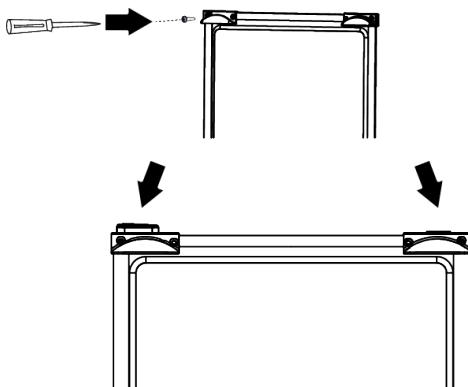
 Before transport or use, never open the control board cover on the product. Risk of electric shock and fire!

- Our firm will not assume responsibility for any damages due to usage without earthing and without power connection in compliance with national regulations.
- The power cable plug must be easily accessible after installation.
- Do not use multi-group plug with or without extension cable between the wall socket and the refrigerator.

3.3 Attaching the Plastic Wedges

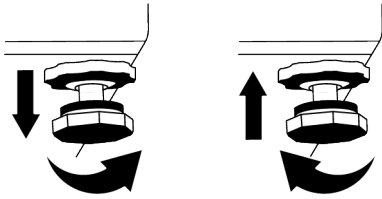
Use the plastic wedges provided with the product to maintain sufficient space for air circulation between the product and the wall.

1. To attach the wedges, remove the screws on the product and use the screws provided with the wedges.
2. Attach 2 plastic wedges on the ventilation cover as shown in the figure.



3.4 Adjusting the Legs

If the product is not in balanced position, adjust the front adjustable legs by rotating them to right or left.



3.5 Hot Surface Warning

The side walls of your product are equipped with cooler pipes to enhance the cooling system. High pressure fluid may flow through these surfaces, and cause hot surfaces on the side walls. This is normal and it does not require servicing.

4 Preparation

Read the "Safety Instructions" first!

4.1 What To Do For Energy Saving

- When loading the food, leave enough space inside the refrigerator to allow sufficient air circulation for cooling.
- Since hot and humid air will not directly penetrate into your product when the doors are not opened, your product will optimize itself in conditions sufficient to protect your food. Under these circumstances, functions and components such as compressor, fan, heater, defrost, lighting, display and so on will operate according to the needs by consuming minimum energy.
- In case that multiple options are present, glass shelves must be placed so that the air outlets at the rear wall are not blocked and preferably, in a way that air outlets remain below the glass shelf. This combination may help improving air distribution and energy efficiency.
- Food shall be stored using the drawers in the cooler compartment in order to ensure energy saving and protect food in better conditions.

4.2 First Use

Before using your product make sure the necessary preparations are made in line with the instructions in "Safety Instructions" and "Installation" sections.

- Wait for at least 2 hours before operating the product, to ensure the complete efficiency of refrigeration.

- Keep the product running without placing any food inside for 6 hours and the product door should be kept as closed as possible.
- The temperature change caused by opening and closing of the door while using the product may normally lead to condensation on door/body shelves and glassware placed in the product.
- A sound will be heard when the compressor is engaged. It is normal for the product to make noise even if the compressor is not running, as fluid and gas may be compressed in the cooling system.
- It is normal for the front edges of the product to be warm. These areas are designed to warm up in order to prevent condensation
- For some models, indicator panel turns off automatically 1 minute after the door closes. It will be reactivated when the door is opened or any button is pressed.

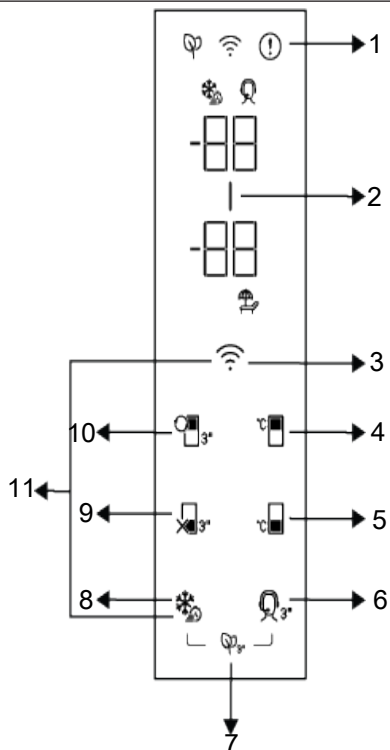
4.3 Climate Class and Definitions

Please refer to the Climate Class on the rating plate of your device. One of the following information is applicable to your device according to the Climate Class.

- **SN:** Long Term Temperate Climate: This cooling device is designed for use at ambient temperatures between 10 °C and 32 °C.

- **N:** Temperate Climate: This cooling device is designed for use at ambient temperatures between 16°C and 32 °C.
- **ST:** Subtropical Climate: This cooling device is designed for use at ambient temperatures between 16°C and 38°C.
- **T:** Tropical Climate: This cooling device is designed for use at ambient temperatures between 16°C and 43°C.

5 Control Panel of the Product



- | | |
|---|---|
| 1 Error Status Indicator | 2 Energy Saving (Display Off) Indicator |
| 3 *Wireless Key | 4 Freezer Compartment Temperature Setting Key |
| 5 Cooler Compartment Temperature Setting Key | 6 *Support Service Key |
| 7 *Deodoriser Module Key | 8 *Quick Freezing Key/Handle Light Function Setting Key |
| 9 *Cooler Compartment Off (Vacation) Function Key | 10 *Compartment Conversion Key |
| 11 Key for Resetting Wireless Connection Settings | |

Read the "Safety Instructions" first!

Auditory and visual functions on the indicator panel will assist you in using the refrigerator.

*Optional: Shown functions are optional, there may be differences of shape and location in functions found on your appliance's indicator panel.

1. Fault Status Indicator

This indicator will be active when your refrigerator cannot perform adequate cooling or in case of any sensor error. "E" will be displayed on the freezer compartment temperature indicator and figures such as 1,2,3... will be displayed on the cooler compartment temperature indicator. These figures provide information to the authorized service on the error that has occurred.

Exclamation mark may be displayed for a while when you load warm food to the freezer compartment or keep the door open for a long period of time. This is not a fault, this warning will be removed when the food is cooled down or when any key is pressed.

2. Energy Saving (Display Off) Indicator

Energy saving function is enabled automatically and the energy saving symbol lights up when the door of the product is not opened or closed for some period of time. When the energy saving function is active, all symbols on the screen except the energy saving symbol will be turned off. When the energy saving function is active, if you press any key or open the door, the energy saving function will be deactivated and the symbols on the screen will return to normal. The energy saving function is a function activated ex-factory and cannot be cancelled.

3. *Wireless Key

When the key is pressed for a long period (3 seconds), the wireless connection symbol on the display/screen flashes slowly (at 0.5 second intervals). The home network is initialized on the product this way.

After achieving wireless connection with the product, wireless connection symbol illuminates continuously.

When the initial connection is established, you may activate/deactivate the connection with a short press on this key. The wireless connection symbol will flash quickly (at 0.2 second intervals) until the connection is established. When the connection is active, the wireless network symbol will illuminate continuously.

If the connection cannot be established for a long period, check your connection settings and refer to the "Troubleshooting" section provided in the user manual.

HomeWhiz application will be used for wireless connection. The installation steps are described on the application during installation.

You may access the application by reading the QR code available on the HomeWhiz label on the product. Application is offered through App Store for IOS devices, and through Play Store for Android devices.

Visit <https://www.homewhiz.com/> address for detailed information.

4. The Freezer Compartment Temperature Setting Key

Temperature setting is made for freezer compartment. Pressing this key will enable the freezer compartment temperature to be set at -18,-19,-20,-21,-22,-23,-24 Celsius.

5. Cooler Compartment Temperature Setting Key

Allows setting of temperature for cooler compartment. When this key is pressed on, the cooler compartment temperature is set to 8,7,6,5,4,3,2 and 1 Celsius values

6. *Support Service Key

Press this key for 3 seconds to activate/deactivate the support service. Detailed information on the support service is provided in the "Support Service Feature" section.

7. *Deodoriser Module Key

Press this key for 3 seconds to activate/deactivate the deodoriser feature. When the deodoriser feature is active, the LED on the respective key is illuminated. When the feature is active, the deodoriser module will be operated periodically.

8.Quick Freezing Key

When the quick freezing key is pressed, the LED on the key is illuminated and the quick freezing function will be activated. Freezer compartment temperature is set to -27 Celsius. Press the key again to cancel the function. The quick freezing function will be cancelled automatically. To freeze a large amount of fresh food, press the quick freezing key before placing the food in the freezer compartment.

*Handle Light Function Setting Key

Handle light function might be switched between open and closed modes by pressing the quick freezing key for 3 seconds. In the closed mode, the handle light is only activated when the appliance door is opened and it goes out after a while after the door is closed. In the open mode, the handle light is activated when the appliance door is opened, the handle light stays on dimly after a while after the door is closed. The handle light function is set to the ex-factory closed mode.

9.*Cooler Compartment Off (Vacation)

Function Key

Press the key for 3 seconds to activate the vacation function. Vacation mode is activated and the vacation symbol

is illuminated. “-” will be displayed on the Cooler Compartment temperature indicator and the cooler compartment does not actively perform cooling. You should not keep your food in the cooler compartment if you activate this function. The other compartments continue to cool according to temperatures set before. Press the key for 3 seconds again to cancel this function.

10. *Compartment Conversion Key

Pressing compartment conversion key for 3 seconds, the freezer compartment switches between cooler, off and freezer modes, respectively. If it is operated as the cooler compartment, the temperature of the compartment will be set as 4 Celsius. In the off mode, compartment temperature indicator shall display “-”.

11. Key for Resetting Wireless Connection Settings

To reset the wireless connection settings, press on Quick freezing and Wireless connection keys simultaneously for 3 seconds. All user information recorded previously are removed on a product where wireless connection settings are reset/restored to factory defaults.

WARNING



The temperature can be set between 1-8°C for the chiller compartment and between -24 and -15°C for the freezer compartment. Adjustable temperature values may vary provided that they are within these ranges according to product specifications.

6 Operating the Product

Read the “Safety Instructions” first!

- The product shall be used for storing food only.
- Turn off the water valve if you will be away from home (e.g. at vacation) and you will not be using the Icematic or the water dispenser for a long period of time. Otherwise, water leaks may occur.

Unplugging the Product

- Remove the food to prevent odours,
- Wait for the ice to melt, clean the interior and let it dry, leave the doors open to avoid damaging the inner body plastics.

6.1 Replacing the Illumination Lamp

Call the Authorized Service when the Bulb/LED used for lighting in your refrigerator will be replaced.

Lamp(s) used in this appliance cannot be used for house lighting. Intended use of this lamp is to help the user place food into the refrigerator / freezer safely and comfortably.

This product contains a lighting source with 'G' energy class.

The lighting source in this product must be replaced by a qualified repair person.

6.2 Storing Food in the Freezer and Cooler Compartment

Storing food in the freezer compartment

- You can activate Quick Freezing function 4-6 hours before freezing function and perform a faster cooling.
- Bring hot meals to the room temperature before placing them in the freezer compartment.
- Foods to be frozen must be divided into portions according to a size to be consumed, and frozen in separate packages.
- It is recommended to pack the foods before placing them in the freezer.
- In order to prevent expiration of storage time, write the freezing date, time and name of the product on the package according to the storage times of different foods.
- Consume the foods you have defrosted quickly. Defrosted foods cannot be frozen again unless they are cooked. It is

not safe to consume the refrozen fresh foods without cooking after they are defrosted.

- As you freeze fresh foods, do not bring them in contact with already frozen foods. Otherwise, frozen foods will be defrosted.

Storing the foods, which are sold frozen

- Always follow the instructions of the producer in relation to the time during which you are required to store your foods. Do not exceed the time specified in these instructions!
- In order to protect the quality of the food, keep the time interval between purchasing transaction and storing as short as possible.
- Buy frozen food which are stored at -18°C or lower temperatures.
- Avoid buying foods whose packages are covered with ice etc. This means that the product could be partially defrosted and refrozen. Temperature impacts the quality of the food.
- Do not exceed the storing time recommended by the food producer. Remove only the food as much as you need from the freezer.
- Except the cases where extreme circumstances are available in the environment, if your product (on the recommended set values table) is set to the specified set values, the food keep their freshness for a longer time both in the fresh product compartment and freezer compartment.
- If fresh food compartment is set to a lower temperature, fresh fruits and vegetables may be partially frozen.

Recommended set values table

Freezer Compartment Setting	Fridge Compartment Setting	Remarks
-18°C	4°C	This is the default, recommended setting. This setting is recommended if ambient temperature is below 30°C.
-20, -22 or -24 °C	4°C	These settings are recommended for ambient temperatures exceeding 30°C.
Quick Freeze	4°C	Use when you want to freeze your food in a short time. When the process ends, the product's settings will return to previous position.
-18°C or colder	2°C	Use these settings if you believe the cooler compartment is not cold enough due to ambient temperature or frequently opening the door.

Quick freezing

1. Activate the quick freezing function 24 hours before placing your fresh foods.
2. After 24 hours after pressing the button, place your food that you want to freeze on the first shelf with higher freezing capacity.
3. The quick freezing function is automatically cancelled after a period of time.

Freezer details

As per the IEC 62552 standards, the freezer must have the capacity to freeze 4,5 kg of food items at -18°C or lower temperatures at 25°C room temperature in 24 hours for each 100 litres of freezer compartment volume.

Food products can only be preserved for extended periods at or below temperature of -18 °C.

You can keep the foods fresh for months (in freezer at or below temperatures of -18 °C).

The food products to be frozen must not contact the already-frozen food inside to avoid partial defrosting.

Boil the vegetables and filter the water to extend the frozen storage time. Place the food in air-tight packages after filtering and place in the freezer. Bananas, tomatoes, lettuce, celery, boiled eggs, potatoes and similar food items should not be frozen. In case these foods are frozen, only nutritional values and eating qualities will be negatively affected. A rotting that would threaten human health is not in question.

Placing the food

Freezer compartment shelves:Different frozen foods like meat, fish, ice cream, vegetables etc.

Cooler compartment shelves:Food items inside pots, capped plate and capped cases, eggs (in closed case)

Cooler compartment door shelves:Small and packaged food or beverages

Crisper:Vegetables and fruits

Fresh food compartment:Delicatessen (breakfast food, meat products to be consumed in short time)

Storing food in the cooler compartment

- Compartment temperatures rise prominently if compartment door is opened and closed frequently and kept open for a long time, this can reduce the life span of the food and cause the food to spoil.
- In order not to cause odour and taste changes, the food should be stored in the closed containers.
- Do not store too much food in your refrigerator. To achieve a better and homogeneous cooling, place the food separately in a way that cold air can wander through them.
- Provide air flow by leaving a space between the food and internal wall. If you lean the food against the rear wall, the food may freeze.
- Bring cooked hot meals to the room temperature before placing them in the refrigerator. Then, you can place the tepid meal in the lower shelves of your refrigerator. Do not place the tepid meals close to the foods which may easily spoil.

- Defrost your frozen food in the fresh food compartment. Thereby, you can cool fresh food compartment by using frozen food and save energy.
- Storing unripe tropical fruits (mango, melon varieties, papaya, banana, pineapple) in the refrigerator may speed up the ripening process. This is not recommended because it will cause shorter storage time.
- You should store onions, garlics, gingers and other root vegetables in dark and cold room conditions, not in the refrigerator.
- If you notice that a food has spoiled in the refrigerator, throw away that food and clean the accessories which have come into contact with it.
- In order to cool the meals like soups and stews, which are cooked in the large pots, quickly, you can put them in the refrigerator by separating them into their own shallow containers.
- Do not place unpackaged food close to eggs.
- Keep the fruits and vegetables separately and store each variety together (for example; apples with apples, carrots with carrots).
- Take green vegetables out of the plastic bag and place them in the refrigerator after wrapping them in a paper towel or drying cloth. If you wash this type of food before placing them in the refrigerator, remember to dry them.
- You can both create a damp environment and provide an air flow by keeping fruits and vegetables, which are prone to drying, in the perforated or unsealed plastic bags.
- Except the cases where extreme circumstances are available in the environment, if your product (on the recommended set values table) is set to the specified set values, the food keep their freshness for a longer time both in the fresh product compartment and freezer compartment.

Store different food in different places according to their properties.

Food	Location
Egg	Door Shelf
Dairy products (butter, cheese)	If available, zero degree (for breakfast food) compartment
Fruits, vegetables and greenery	Fruit-vegetable compartment, crisper or EverFresh+ compartment (if available)
Fresh meat, poultry, fish, sausage etc. Cooked foods	If available, zero degree (for breakfast food) compartment
Ready to serve foods, packaged products, canned foods and pickles	Top shelves or door shelf
Beverages, bottles, spices and snacks	Door Shelf

7 Door Open Alert

The door open alert system of your refrigerator may differ depending on the model.

Version 1;

If the door of the product remains open for a certain time (between 60 s and 120 s), an audio warning signal sounds; depending on the product model, a visual warning signal (light flash) can also be displayed. If you

close the door of the device or press a button on the screen of the device, if any, the warning sound will stop.

Version 2;

If the door of the device remains open for a certain period of time (between 60 s and 120 s), the door open alert is sounded. The door open alert is sounded gradually. First, an audible warning starts to sound. After 4

minutes, if the door is still not closed, a visual warning (lighting flash) is activated. The door open alert will be delayed for a certain period of time (between 60 s and

120 s) when any key on the product screen, if any, is pressed. Then the process will start again. When the device door is closed, the door open alert will be cancelled.

8 Product Features

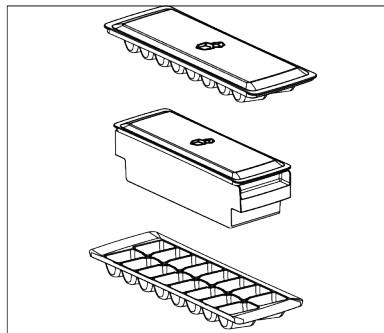
8.1 The ice storage area

Ice Container

Ice bucket allows you take ice easily from the refrigerator.

Using the ice bucket

1. Take the ice bucket out of the freezer compartment.
2. Fill the ice bucket with water.
3. Place the ice bucket into the freezer compartment. The ice will be ready after approximately two hours.
4. Take the ice bucket from the freezer compartment and bend in slightly over the holder that you are going to serve. Ice will easily pour into the serving holder.



8.2 Egg holder

You can place the egg holder on the door or body shelf you wish.

If the egg holder is to be placed on the body shelf, we recommend you to choose colder lower shelves.

- Never place the egg holder on the freezer compartment.

8.3 Crisper

The refrigerator's crisper is designed to keep vegetables fresh by preserving their humidity. For this purpose, the overall cold air circulation is intensified in the crisper. Keep fruits and vegetables in this compartment. Keep the green-leaved vegetables and fruits separately to prolong their life.

8.4 Humidity Controlled Crisper

With the humidity controlled crisper feature, the humidity of vegetables and fruits is kept under control and the food is kept fresh for a longer period of time.

We recommend that you place leafy vegetables such as lettuce, spinach and similar vegetables that are sensitive to moisture loss in the crisper, not upright on their roots, but as horizontally as possible.

When placing the vegetables, place heavy and hard vegetables at the bottom and light and soft ones on the top, taking into account the specific weights of vegetables.

Never leave vegetables in plastic bags in the crisper. Leaving them in plastic bags causes vegetables to rot in a short time.

In situations where contact with other vegetables is not preferred, use packaging materials such as paper that has a certain level of porosity in terms of hygiene.

Do not put fruits that have a high ethylene gas production such as pear, apricot, peach and particularly apple in the same crisper with other vegetables and fruits. The ethylene gas coming out of these fruits might cause other vegetables and fruits to mature faster and rot in a shorter period of time.

9 Maintenance and Cleaning

Read the "Safety Instructions" first!

Before cleaning your product, unplug it or de-energize the fuse to which it is connected.

Do not place your hands, feet or metal objects under the refrigerator or between the refrigerator and the floor for whatsoever reason. Jamming may occur or any sharp edge may cause personal injuries.

- Do not use sharp or abrasive tools to clean the product. Do not use materials such as household cleaning agents, soap, detergents, gas, gasoline, thinner, alcohol, wax, etc.
- The dust shall be removed from the ventilation grill on the rear of the product at least once a year (without opening the cover). Clean the product with a dry cloth.
- Take care to keep water away from the lamp's cover and other electrical parts.
- Clean the door with a damp cloth. Remove all contents to remove the door and body racks. Remove the door racks by lifting them upwards. Clean and dry the shelves, then attach back in place by sliding from above.
- Do not use chlorinated water or cleaning products on the exterior surface and chrome coated parts of the product. Chlorine will cause rust on such metallic surfaces.
- Do not use sharp and abrasive tools, soap, house cleaning materials, detergents, gas, gasoline, varnish and similar substances to prevent deformation of and removal of prints on the plastic part. Use warm water and a soft cloth for cleaning, and then dry it.
- On the products without a No-Frost feature, water droplets and icing up to a thickness of a finger may occur on the

rear wall of the cooler compartment. Do not clean, and never apply oils or similar materials.

- Use only a mildly dampened micro-fibre cloth to clean the external surface of the product. Sponges and other types of cleaning clothes may cause scratches.
- To clean all removable components during the cleaning of the interior surface of the product, wash these components with a mild solution consisting of soap, water and carbonate. Wash and dry thoroughly. Prevent contact of water with illumination components and the control panel.
- Do not use vinegar, rubbing alcohol or other alcohol based cleaning agents on any interior surface.

Stainless Steel External Surfaces

Use a non-abrasive stainless steel cleaning agent and apply it with a soft lint-free cloth. To polish, gently wipe the surface with a micro-fibre cloth dampened with water and use dry polishing chamois. Always follow the veins of the stainless steel.

Preventing Odours

The product is manufactured free of any odorous materials. However, inappropriately storing food and improper cleaning of internal surfaces may lead to odours.

- To avoid this, clean the inside with carbonated water every 15 days.
- Keep the foods in sealed holders, as micro-organisms arising from foods kept in unsealed containers will cause bad odour.
- Do not keep expired and spoilt foods in the refrigerator.

Protecting Plastic Surfaces

Oil spilled on plastic surfaces may damage the surface and must be cleaned immediately with warm water.

10 Troubleshooting

Read the "Safety Instructions" first!

Check this list before contacting the service. Doing so will save you time and money. This list includes frequent com-

plaints that are not related to faulty workmanship or materials. Certain features mentioned herein may not apply to your product.

If the problem persists after following the instructions in this section, contact your vendor or an Authorized Service. Do not try to repair the product.

The refrigerator is not working.

- The power plug is not fully settled. >>> Plug it in to settle completely into the socket.
- The fuse connected to the socket powering the product or the main fuse is blown. >>> Check the fuse.

Condensation on the side wall of the cooler compartment (MULTI ZONE, COOL CONTROL and FLEXI ZONE).

- The door is opened too frequently. >>> Take care not to open the product's door too frequently.
- The environment is too humid. >>> Do not install the product in humid environments.
- Foods containing liquids are kept in unsealed holders. >>> Keep the foods containing liquids in sealed holders.
- The product's door is left open. >>> Do not keep the product's door open for long periods.
- The thermostat is set to a very cool temperature. >>> Set the thermostat to an appropriate temperature.

Compressor is not working.

- In case of sudden power failure or pulling the power plug off and putting back on, the gas pressure in the product's cooling system is not balanced, which triggers the compressor thermic safeguard. The product will restart after approximately 6 minutes. If the product does not restart after this period, contact the service.
- Defrosting is active. >>> This is normal for a fully-automatic defrosting product. The defrosting is carried out periodically.
- The product is not plugged in. >>> Make sure the power cord is plugged in.

- The temperature setting is incorrect. >>> Select the appropriate temperature setting.
- The power is out. >>> The product will continue to operate normally once the power is restored.

The refrigerator's operating noise is increasing while in use.

- The product's operating performance may vary depending on the ambient temperature variations. This is normal and not a malfunction.

The refrigerator runs too often or for too long.

- The new product may be larger than the previous one. Larger products will run for longer periods.
- The room temperature may be high. >>> The product will normally run for long periods in higher room temperature.
- The product may have been recently plugged in or a new food item is placed inside. >>> The product will take longer to reach the set temperature when recently plugged in or a new food item is placed inside. This is normal.
- Large quantities of hot food may have been recently placed into the product. >>> Do not place hot food into the product.
- The doors were opened frequently or kept open for long periods. >>> The warm air moving inside will cause the product to run longer. Do not open the doors too frequently.
- The freezer or cooler door may be ajar. >>> Check that the doors are fully closed.
- The product may be set to a temperature that is too low. >>> Set the temperature to a higher degree and wait for the product to reach the adjusted temperature.
- The cooler or freezer door washer may be dirty, worn out, broken or not properly settled. >>> Clean or replace the gasket. Damaged / torn door washer will cause the product to run for longer periods to preserve the current temperature.

The freezer temperature is very low, but the cooler temperature is adequate.

- The freezer compartment temperature is set to a very low degree. >>> Set the freezer compartment temperature to a higher degree and check again.

The cooler temperature is very low, but the freezer temperature is adequate.

- The cooler compartment temperature is set to a very low degree. >>> Set the cooler compartment temperature to a higher degree and check again.

The food items kept in cooler compartment drawers are frozen.

- The cooler compartment temperature is set to a very low degree. >>> Set the cooler compartment temperature to a higher degree and check again.

The temperature in the cooler or the freezer is too high.

- The cooler compartment temperature is set to a very high degree. >>> Temperature setting of the cooler compartment has an effect on the temperature in the freezer compartment. Wait until the temperature of relevant parts reach the sufficient level by changing the temperature of cooler or freezer compartments.
- The doors were opened frequently or kept open for long periods. >>> Do not open the doors too frequently.
- The door may be ajar. >>> Fully close the door.
- The product may have been recently plugged in or a new food item is placed inside. >>> This is normal. The product will take longer to reach the set temperature when recently plugged in or a new food item is placed inside.
- Large quantities of hot food may have been recently placed into the product. >>> Do not place hot food into the product.

Shaking or noise.

- The surface is not flat or durable >>> If the product is shaking when moved slowly, adjust the stands to balance the product. Also make sure the ground is sufficiently durable to bear the product.
- Any items placed on the product may cause noise. >>> Remove any items placed on the product.
- The product is making noise of liquid flowing, spraying etc.
- The product's operating principles involve liquid and gas flows. >>> This is normal and not a malfunction.

There is sound of wind blowing coming from the product.

- The product uses a fan for the cooling process. This is normal and not a malfunction.

There is condensation on the product's internal walls.

- Hot or humid weather will increase icing and condensation. This is normal and not a malfunction.
- The doors were opened frequently or kept open for long periods. >>> Do not open the doors too frequently; if open, close the door.
- The door may be ajar. >>> Fully close the door.

There is condensation on the product's exterior or between the doors.

- The ambient weather may be humid, this is quite normal in humid weather. >>> The condensation will dissipate when the humidity is reduced.

The interior smells bad.

- The product is not cleaned regularly. >>> Clean the interior regularly using sponge, warm water and carbonated water.
- Certain holders and packaging materials may cause odour. >>> Use holders and packaging materials without free of odour.

- The foods were placed in unsealed holders. >>> Keep the foods in sealed holders. Micro-organisms may spread out of unsealed food items and cause bad odour.
- Remove any expired or spoiled foods from the product.

The door is not closing.

- Food packages may be blocking the door. >>> Relocate any items blocking the doors.
- The product is not standing in full upright position on the ground. >>> Adjust the stands to balance the product.
- The surface is not flat or durable >>> Make sure the surface is flat and sufficiently durable to bear the product.

The crisper is jammed.

- The food items may be in contact with the upper section of the drawer. >>> Reorganize the food items in the drawer.

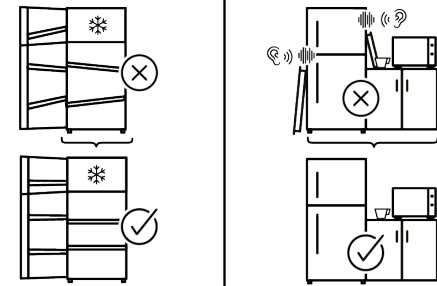
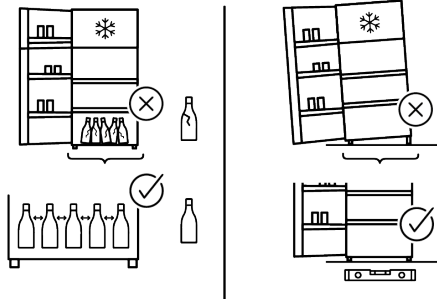
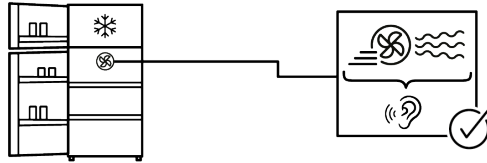
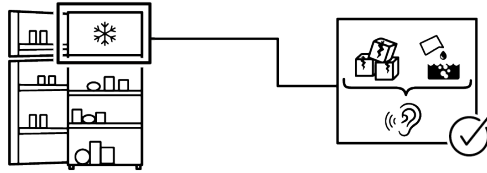
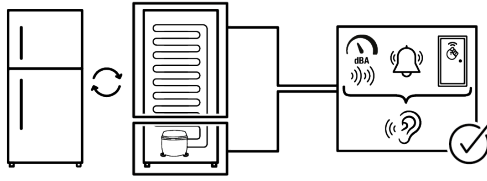
Temperature on the product surface.

- High temperature may be observed between two doors, on the side panels and on the rear grill area while your product is operated. This is normal and it does not require servicing.

Fan continues to operate when the door is opened.

- Fan may continue to operate when the freezer door is open.

If the problem persists after following the instructions in this section, contact your vendor or an Authorized Service. Do not try to repair the product. This is normal.



جدول المحتويات

22	التعليمات البيئية	١
22	التخلص من مواد التعبئة والتغليف.....	١-١
22	ثلاجتك	٢
23	التركيب	٣
23	المكان المناسب للتركيب	١-٣
23	التوصيلات الكهربائية	٢-٣
23	تثبيت الأوتاد البلاستيكية	٣-٣
23	ضبط أقدم المنتج	٤-٣
24	تحذير سطح ساخن	٥-٣
24	الإعداد	٤
24	إجراءات توفير الطاقة	١-٤
24	الاستخدام لأول مرة	٢-٤
24	فئة المناخ والتعاريف	٣-٤
25	لوحة التحكم في منتجك	٥
27	تشغيل المنتج	٦
27	استبدال مصباح الإضاءة	١-٦
27	تخزين الطعام في حجرة المجمد والمبرد	٢-٦
30	تحذير فتح الباب	٧
30	مواصفات المنتج.....	٨
30	منطقة تخزين الثلج	١-٨
30	حامل البيض	٢-٨
30	رف الخضروات.....	٣-٨
30	درج التحكم في الرطوبة	٤-٨
31	الصيانة والتنظيف	٩
32	استكشاف الأخطاء وإصلاحها	١٠

يرجى قراءة دليل المستخدم هذا أولاً.

عملنا العزيز،

نشكرك على اختيارك هذا المنتج .

يرجى تسجيل منتجك على www.register10.eu

تتمنى أن تصل إلى الكفاءة المثلى من هذا المنتج عالي الجودة الذي تم تصنيعه بأحدث التقنيات. للقيام بذلك ،
اقرأ هذا الدليل بعناية وأية وثائق أخرى مقدمة قبل استخدام المنتج.

انتبه إلى جميع المعلومات والتحذيرات الموجودة في دليل المستخدم. بهذه الطريقة ، ستحمي نفسك ومنتجك
من الأخطار التي قد تحدث. احتفظ بدليل المستخدم. قم بتضمين هذا الدليل مع المنتج إذا قمت بتسليمه إلى
شخص آخر.

يتم استخدام الرموز التالية في دليل المستخدم وعلى المنتج:

اقرأ دليل المستخدم.

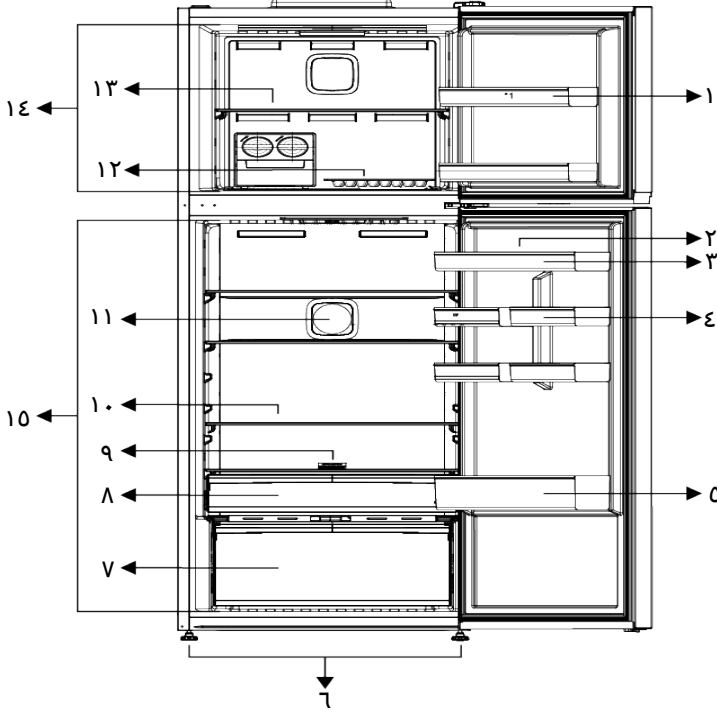


١ التعليمات البيئية

لذلك يجب التخلص من الأجزاء المختلفة من مواد التغليف بشكل مسؤول، والامتثال الكامل للوائح السلطة المحلية التي تحدد كيفية التخلص من النفايات.

١-١ التخلص من مواد التعبئة والتغليف
مواد التغليف قابلة لإعادة التدوير بنسبة و يوجد عليها رمز إعادة التدوير.

٢ تلاجتك



- | | |
|------------------------------------|---|
| ٢ حامل البيض | ١ *رفوف باب مقصورة المجمد |
| ٤ *رفوف باب حجرة المبرد الصغير | ٣ *رفوف باب حجرة المبرد |
| ٦ الأرجل القابلة للتعديل | ٥ *رف زجاجات |
| ٨ درج الألبان (التخزين البارد) | ٧ درج الخضار، فاصل درج الخضار، هش وفلتر إيثيلين |
| ١٠ *الرف الزجاجي لحجرة المبرد | ٩ الفلتر |
| ١٢ *صانعة الثلج وصندوق تخزين الثلج | ١١ المروحة |
| ١٤ مقصورة المجمد | ١٣ الرف الزجاجي لمقصورة المجمد |
| | ١٥ حجرة المبرد |

***اختياري:** إن الأشكال المذكورة في دليل المستخدم هذا هي تخطيطه وقد لا تتطابق مع جهازك تماما. إذا كان جهازك لا يشتمل على الأجزاء ذات الصلة، فإن المعلومات تعود لموديلات أخرى.

٣ التركيب

اقرأ "تعليمات الأمان" أولاً!

١-٣ المكان المناسب للتركيب

اتصل بخدمة الصيانة المعتمدة من أجل تركيب الجهاز. لإعداد الجهاز للتركيب، انظر المعلومات في دليل المستخدم وتأكد أن منافع الكهرباء والماء كما هو مطلوب. إذا لم يكن الأمر كذلك، فاتصل بغني كهربائى وسباك مؤهل لترتيب المرافق حسب الضرورة.

- ضع الجهاز على سطح منبسط لتجنب الاهتزاز
- ضع الجهاز على بعد 30 سم على الأقل من المدفأة والموقد مصادر الحرارة الأخرى و50 سم على الأقل من الأفران الكهربائية.
- عند وضع مبردتين في موضع مجاور، اترك مسافة 4 سم على الأقل بين الوجدتين.
- احفظ المنتج بعيداً عن أشعة الشمس المباشرة وفي مكان جاف.
- تأكد أن مكوّن الحماية الخاص بالخلوص بين الجهاز والجدار الخلفي موجود في مكانه (إذا كان مزوداً مع المنتج).

٢-٣ التوصيلات الكهربائية

لا تستخدم كابلات التطويل أو المقابس المتعددة في توصيل الطاقة.



يجب استبدال كبل الطاقة التالف بواسطة خدمة الصيانة المعتدة.



عند وضع مبردتين في موضع مجاور، اترك مسافة 4 سم على الأقل بين الوجدتين.



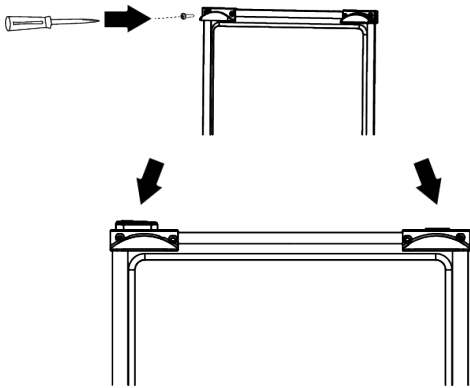
قبل النقل أو الاستخدام، لا تفتح أبداً غطاء لوحة التحكم الموجود على المنتج. خطر حدوث صدمة كهربائية وحرق!



- لا تتحمل شركتنا المسؤولية عن أية أضرار بسبب الاستعمال بدون تأريض وبدون توصيل الطاقة طبقاً للأنظمة المحلية.
- يجب أن يكون قابس كبل الطاقة سهل الوصول بعد التركيب.
- لا تستخدم قابساً متعدد المجموعات مع أو بدون كابل تمديد بين مقبس الحائط والثلاجة.

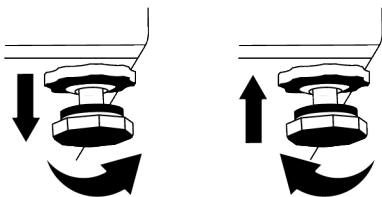
٣-٣ تثبيت الأوتاد البلاستيكية

- استخدم الأوتاد البلاستيكية المزودة مع الجهاز لتوفير مساحة كافية لتوزيع الهواء بين الجهاز والجدار.
1. لتثبيت الأوتاد، فك البراغي الموجودة على المنتج واستخدم البراغي المزودة مع الأوتاد.
 2. ركب وتدبين على غطاء التهوية كما هو موضح في الشكل.



٤-٣ ضبط أقدام المنتج

إن لم يكن الجهاز في وضع متوازن، اضبط الأقدام الأمامية القابلة للتعديل بإدارتها إلى اليمين أو اليسار.



تم تجهيز الجدران الجانبية لمنتجك بأنايب تبريد لتعزيز نظام التبريد. قد يتدفق السائل ذو الضغط المرتفع عبر هذه الأسطح ، وبسبب سخونة للأسطح على الجدران الجانبية. هذا أمر طبيعي ولا يتطلب صيانة.

٤ الإعداد

اقرأ "تعليمات الأمان" أولاً!

١-٤ إجراءات توفير الطاقة

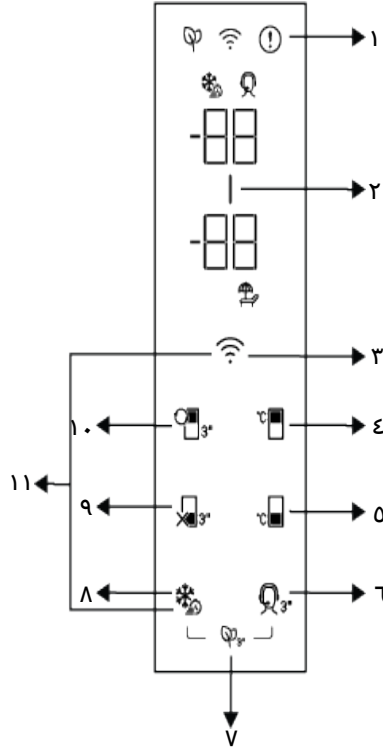
- عند وضع الطعام، اترك مساحة كافية داخل الثلاجة للسماح بدوران الهواء الكافي للتبريد.
- نظراً لأن الهواء الساخن والرطب لن يتغلغل بشكل مباشر في منتجك عند عدم فتح الأبواب، فإن منتجك سيحسن نفسه في ظروف كافية لحماية طعامك. في ظل هذه الظروف، ستعمل الوظائف والمكونات مثل الضاغط، والمروحة، والسخان، وخاصة إزالة الصقيع، والإضاءة، والشاشة، وما إلى ذلك، وفقاً للاحتياجات من خلال استهلاك الحد الأدنى من الطاقة.
- في حالة وجود خيارات متعددة، يجب وضع أرفف زجاجية بحيث لا يتم سد منافذ الهواء الموجودة في الجدار الخلفي، ويفضل بحيث تبقى منافذ الهواء أسفل الرف الزجاجي. قد يساعد هذا المزيج في تحسين توزيع الهواء وكفاءة الطاقة.
- يجب تخزين الطعام باستخدام الأدراج في حجرة المبرد لضمان توفير الطاقة وحماية الطعام في ظروف أفضل.

٢-٤ الاستخدام لأول مرة

- قبل استخدام منتجك، تأكد من إجراء الإعدادات الضرورية انسجاماً مع التعليمات المذكورة في أقسام "تعليمات السلامة" و"التركيب".
- انتظر لمدة ساعتين على الأقل قبل تشغيل المنتج، لضمان كفاءة التبريد الكاملة.
- يجب أن يظل المنتج قيد التشغيل دون وضع أي طعام بداخله لمدة 6 ساعات ويجب إبقاء باب المنتج مغلقاً قدر الإمكان.
- قد يؤدي تغيير درجة الحرارة الناجم عن فتح وإغلاق الباب أثناء استخدام المنتج عادةً إلى تشكل تكاثف على أرفف الباب / الهيكل والأواني الزجاجية الموضوعة في المنتج.

٣-٤ فئة المناخ والتعاريف

- يرجى الرجوع إلى فئة المناخ على لوحة التصنيف الخاصة بجهازك. تنطبق إحدى المعلومات التالية على جهازك وفقاً لفئة المناخ.
- SN: المناخ المعتدل على المدى الطويل: تم تصميم جهاز الجهاز هذا للاستخدام في درجات حرارة محيطية تتراوح بين 10 درجة مئوية و 32 درجة مئوية.
- N: المناخ المعتدل: تم تصميم جهاز الجهاز هذا للاستخدام في درجات حرارة محيطية تتراوح بين 16 درجة مئوية و 32 درجة مئوية.
- ST: المناخ شبه الاستوائي: تم تصميم جهاز الجهاز هذا للاستخدام في درجات حرارة محيطية تتراوح بين 16 درجة مئوية و 38 درجة مئوية.
- T: المناخ الاستوائي: تم تصميم جهاز الجهاز هذا للاستخدام في درجات حرارة محيطية تتراوح بين 16 درجة مئوية و 43 درجة مئوية.



- | | |
|--|--|
| ٢ مؤشر توفير الطاقة (إيقاف الشاشة) | ١ مؤشر حالة الخطأ |
| ٤ مفتاح ضبط درجة حرارة مقصورة المُجمّد | ٣ *مفتاح لاسلكي |
| ٦ *مفتاح خدمة الدعم | ٥ مفتاح ضبط درجة حرارة حجرة المبرد |
| ٨ *مفتاح التجميد السريع/مفتاح إعداد وظيفة ضوء المقبض | ٧ *مفتاح وحدة مزبل الروانج |
| ١٠ *مفتاح تحويل الحجرة | ٩ *مفتاح وظيفة إيقاف تشغيل مقصورة المبرد (وضع العطللة) |
| | ١١ مفتاح لإعادة ضبط إعدادات الاتصال اللاسلكي |

١. مؤشر حالة العطل!

يكون هذا المؤشر نشطاً عندما يتعذر على ثلاجتك إجراء التبريد الكاف أو في حالة وجود أي خطأ في المستشعر. سيتم عرض "E" على مؤشر درجة حرارة مقصورة المجمد والأرقام مثل 1،2،3 ... سيتم

اقرأ "تعليمات الأمان" أولاً!
ستساعدك الوظائف الصوتية والبصرية للوحة المؤشرات على استخدام الثلاجة.
*اختياري: إن الوظائف المعروضة اختيارية، فقد توجد اختلافات في الشكل والموقع في الوظائف الموجودة على لوحة مؤشر جهازك.

عرضها على مؤشر درجة حرارة مقصورة المبرد. توفر هذه الرموز معلومات إلى الخدمة المعتمدة بشأن الخطأ الذي حدث. قد يتم عرض علامة التعجب لفترة من الوقت عند تحميل الطعام الدافئ في حجرة المجمد أو إبقاء الباب مفتوحاً لفترة طويلة من الوقت. هذا ليس خطأ ، وسيزول هذا التحذير عند تبريد الطعام أو عند الضغط على أي مفتاح.

2. مؤشر توفير الطاقة (إيقاف الشاشة)

يتم تفعيل وظيفة توفير الطاقة تلقائياً ويضئ رمز توفير الطاقة عندما لا يتم فتح باب المنتج أو إغلاقه لمدة من الوقت. عندما تكون وظيفة توفير الطاقة نشطة، فسيتم إيقاف تشغيل جميع الرموز التي تظهر على الشاشة باستثناء رمز توفير الطاقة. عندما تكون وظيفة توفير الطاقة نشطة، إذا ضغطت على أي مفتاح أو فتحت باب المنتج، يتم إلغاء تنشيط وظيفة توفير الطاقة في التلاجة وتعود الرموز الموجودة على الشاشة إلى وضعها الطبيعي. وظيفة توفير الطاقة عبارة عن وظيفة يتم تنشيطها مسبقاً في المصنع ولا يمكن إلغاؤها.

3. *مفتاح لاسلكي

عند الضغط على المفتاح لفترة طويلة (3 ثوانٍ)، يومض رمز الاتصال اللاسلكي على الشاشة / الشاشة ببطء (بفواصل زمنية 0.5 ثانية). تتم تهيئة الشبكة المنزلية على المنتج بهذه الطريقة. بعد إجراء الاتصال اللاسلكي بالمنتج ، يضيء رمز الاتصال اللاسلكي () باستمرار. عند إنشاء الاتصال الأولي، يمكنك تنشيط / إلغاء تنشيط الاتصال بضغط قصيرة على هذا المفتاح. سيومض رمز الاتصال اللاسلكي بسرعة (كل 0.2 ثانية) حتى يتم إنشاء الاتصال. عندما يكون الاتصال نشطاً، سيضيء رمز الشبكة اللاسلكية باستمرار. إذا تعذر إنشاء الاتصال لفترة طويلة ، فتتحقق من إعدادات الاتصال وارجع إلى قسم "استكشاف الأخطاء وإصلاحها" الموجود في دليل المستخدم. يجب استخدام تطبيق هوم ويز HomeWhiz للاتصال اللاسلكي. يتم وصف خطوات التثبيت على التطبيق أثناء التثبيت.

يمكنك الوصول إلى التطبيق من خلال قراءة رمز الاستجابة السريعة المتاح على ملصق هوم ويز HomeWhiz على المنتج. يتم تقديم التطبيق من خلال متجر App Store لأجهزة iOS ، ومن خلال متجر Play لأجهزة Android. قم بزيارة <https://www.homewhiz.com> للحصول على معلومات مفصلة.

4. مفتاح ضبط درجة حرارة مقصورة المجمد

يتم ضبط درجة حرارة مقصورة المبرد. سيؤدي الضغط على هذا المفتاح إلى تمكين ضبط درجة حرارة حجرة التجميد على -18 ، -19 ، -20 ، -21 ، -22 ، -23 ، -24 درجة مئوية.

5. مفتاح ضبط درجة حرارة حجرة المبرد

يسمح بضبط درجة حرارة حجرة المبرد. عند الضغط على هذا المفتاح، يمكن ضبط درجة حرارة حجرة المبرد على قيم 1، 2، 3، 4، 5، 6، 7، 8، 10، 11، 12، 13، 14، 15، 16، 17، 18، 19، 20، 21، 22، 23، 24، 25، 26، 27، 28، 29، 30، 31، 32، 33، 34، 35، 36، 37، 38، 39، 40، 41، 42، 43، 44، 45، 46، 47، 48، 49، 50، 51، 52، 53، 54، 55، 56، 57، 58، 59، 60، 61، 62، 63، 64، 65، 66، 67، 68، 69، 70، 71، 72، 73، 74، 75، 76، 77، 78، 79، 80، 81، 82، 83، 84، 85، 86، 87، 88، 89، 90، 91، 92، 93، 94، 95، 96، 97، 98، 99، 100، 101، 102، 103، 104، 105، 106، 107، 108، 109، 110، 111، 112، 113، 114، 115، 116، 117، 118، 119، 120، 121، 122، 123، 124، 125، 126، 127، 128، 129، 130، 131، 132، 133، 134، 135، 136، 137، 138، 139، 140، 141، 142، 143، 144، 145، 146، 147، 148، 149، 150، 151، 152، 153، 154، 155، 156، 157، 158، 159، 160، 161، 162، 163، 164، 165، 166، 167، 168، 169، 170، 171، 172، 173، 174، 175، 176، 177، 178، 179، 180، 181، 182، 183، 184، 185، 186، 187، 188، 189، 190، 191، 192، 193، 194، 195، 196، 197، 198، 199، 200، 201، 202، 203، 204، 205، 206، 207، 208، 209، 210، 211، 212، 213، 214، 215، 216، 217، 218، 219، 220، 221، 222، 223، 224، 225، 226، 227، 228، 229، 230، 231، 232، 233، 234، 235، 236، 237، 238، 239، 240، 241، 242، 243، 244، 245، 246، 247، 248، 249، 250، 251، 252، 253، 254، 255، 256، 257، 258، 259، 260، 261، 262، 263، 264، 265، 266، 267، 268، 269، 270، 271، 272، 273، 274، 275، 276، 277، 278، 279، 280، 281، 282، 283، 284، 285، 286، 287، 288، 289، 290، 291، 292، 293، 294، 295، 296، 297، 298، 299، 300، 301، 302، 303، 304، 305، 306، 307، 308، 309، 310، 311، 312، 313، 314، 315، 316، 317، 318، 319، 320، 321، 322، 323، 324، 325، 326، 327، 328، 329، 330، 331، 332، 333، 334، 335، 336، 337، 338، 339، 340، 341، 342، 343، 344، 345، 346، 347، 348، 349، 350، 351، 352، 353، 354، 355، 356، 357، 358، 359، 360، 361، 362، 363، 364، 365، 366، 367، 368، 369، 370، 371، 372، 373، 374، 375، 376، 377، 378، 379، 380، 381، 382، 383، 384، 385، 386، 387، 388، 389، 390، 391، 392، 393، 394، 395، 396، 397، 398، 399، 400، 401، 402، 403، 404، 405، 406، 407، 408، 409، 410، 411، 412، 413، 414، 415، 416، 417، 418، 419، 420، 421، 422، 423، 424، 425، 426، 427، 428، 429، 430، 431، 432، 433، 434، 435، 436، 437، 438، 439، 440، 441، 442، 443، 444، 445، 446، 447، 448، 449، 450، 451، 452، 453، 454، 455، 456، 457، 458، 459، 460، 461، 462، 463، 464، 465، 466، 467، 468، 469، 470، 471، 472، 473، 474، 475، 476، 477، 478، 479، 480، 481، 482، 483، 484، 485، 486، 487، 488، 489، 490، 491، 492، 493، 494، 495، 496، 497، 498، 499، 500، 501، 502، 503، 504، 505، 506، 507، 508، 509، 510، 511، 512، 513، 514، 515، 516، 517، 518، 519، 520، 521، 522، 523، 524، 525، 526، 527، 528، 529، 530، 531، 532، 533، 534، 535، 536، 537، 538، 539، 540، 541، 542، 543، 544، 545، 546، 547، 548، 549، 550، 551، 552، 553، 554، 555، 556، 557، 558، 559، 560، 561، 562، 563، 564، 565، 566، 567، 568، 569، 570، 571، 572، 573، 574، 575، 576، 577، 578، 579، 580، 581، 582، 583، 584، 585، 586، 587، 588، 589، 590، 591، 592، 593، 594، 595، 596، 597، 598، 599، 600، 601، 602، 603، 604، 605، 606، 607، 608، 609، 610، 611، 612، 613، 614، 615، 616، 617، 618، 619، 620، 621، 622، 623، 624، 625، 626، 627، 628، 629، 630، 631، 632، 633، 634، 635، 636، 637، 638، 639، 640، 641، 642، 643، 644، 645، 646، 647، 648، 649، 650، 651، 652، 653، 654، 655، 656، 657، 658، 659، 660، 661، 662، 663، 664، 665، 666، 667، 668، 669، 670، 671، 672، 673، 674، 675، 676، 677، 678، 679، 680، 681، 682، 683، 684، 685، 686، 687، 688، 689، 690، 691، 692، 693، 694، 695، 696، 697، 698، 699، 700، 701، 702، 703، 704، 705، 706، 707، 708، 709، 710، 711، 712، 713، 714، 715، 716، 717، 718، 719، 720، 721، 722، 723، 724، 725، 726، 727، 728، 729، 730، 731، 732، 733، 734، 735، 736، 737، 738، 739، 740، 741، 742، 743، 744، 745، 746، 747، 748، 749، 750، 751، 752، 753، 754، 755، 756، 757، 758، 759، 760، 761، 762، 763، 764، 765، 766، 767، 768، 769، 770، 771، 772، 773، 774، 775، 776، 777، 778، 779، 780، 781، 782، 783، 784، 785، 786، 787، 788، 789، 790، 791، 792، 793، 794، 795، 796، 797، 798، 799، 800، 801، 802، 803، 804، 805، 806، 807، 808، 809، 810، 811، 812، 813، 814، 815، 816، 817، 818، 819، 820، 821، 822، 823، 824، 825، 826، 827، 828، 829، 830، 831، 832، 833، 834، 835، 836، 837، 838، 839، 840، 841، 842، 843، 844، 845، 846، 847، 848، 849، 850، 851، 852، 853، 854، 855، 856، 857، 858، 859، 860، 861، 862، 863، 864، 865، 866، 867، 868، 869، 870، 871، 872، 873، 874، 875، 876، 877، 878، 879، 880، 881، 882، 883، 884، 885، 886، 887، 888، 889، 890، 891، 892، 893، 894، 895، 896، 897، 898، 899، 900، 901، 902، 903، 904، 905، 906، 907، 908، 909، 910، 911، 912، 913، 914، 915، 916، 917، 918، 919، 920، 921، 922، 923، 924، 925، 926، 927، 928، 929، 930، 931، 932، 933، 934، 935، 936، 937، 938، 939، 940، 941، 942، 943، 944، 945، 946، 947، 948، 949، 950، 951، 952، 953، 954، 955، 956، 957، 958، 959، 960، 961، 962، 963، 964، 965، 966، 967، 968، 969، 970، 971، 972، 973، 974، 975، 976، 977، 978، 979، 980، 981، 982، 983، 984، 985، 986، 987، 988، 989، 990، 991، 992، 993، 994، 995، 996، 997، 998، 999، 1000.

6. *مفتاح خدمة الدعم

اضغط على هذا الزر لمدة 3 ثوانٍ لتفعيل/إلغاء تفعيل خدمة الدعم. تم توفير معلومات مفصلة عن خدمة الدعم في قسم "ميزة خدمة الدعم".

7. *مفتاح وحدة مزبل الروائح

اضغط على هذا المفتاح لمدة 3 ثوانٍ لتنشيط / إلغاء تنشيط خاصية مزبل الروائح. عندما تكون ميزة مزبل الروائح نشطة، يضيء مؤشر LED الموجود على المفتاح المعني. عندما تكون الخاصية نشطة، سيتم تشغيل وحدة مزبل الروائح بشكل دوري.

8. *مفتاح التجميد السريع

عند الضغط على مفتاح التجميد السريع، يضيء مؤشر LED الموجود على المفتاح ويتم تنشيط وظيفة التجميد السريع. تم ضبط درجة حرارة حجرة الفريزر على -27 درجة مئوية. اضغط على المفتاح مرة أخرى لإلغاء تنشيط الوظيفة. سيتم إلغاء وظيفة التجميد السريع تلقائياً. لتجميد كمية كبيرة من الطعام الطازج، اضغط على زر التجميد السريع قبل وضع الطعام في مقصورة المجمد.

*مفتاح إعداد وظيفة ضوء المقبض

يمكن تبديل وظيفة ضوء المقبض بين الوضعين المفتوح والمغلق بالضغط على مفتاح التجميد السريع لمدة 3 ثوانٍ. في وضع الإغلاق، لا ينشط ضوء

كحجرة تبريد، فسيتم ضبط درجة حرارة الحجرة على 4 درجات مئوية. في حالة وضع إيقاف التشغيل، يجب أن يعرض مؤشر درجة حرارة المقصورة هذا الرمز "-".

11. مفتاح لإعادة ضبط إعدادات الاتصال اللاسلكي



لإعادة ضبط إعدادات الاتصال اللاسلكي، اضغط على التجميد السريع ومفاتيح الاتصال اللاسلكي في آن واحد لمدة 3 ثوان. تتم إزالة جميع معلومات المستخدم التي تم تسجيلها مسبقاً على المنتج حيث تتم إعادة تعيين / استعادة إعدادات الاتصال اللاسلكي إلى إعدادات المصنع الافتراضية.

تحذير

يمكن ضبط درجة الحرارة بين 1-8 درجة مئوية لمقصورة التبريد وبين 24- و15 درجة مئوية لمقصورة التجميد. قد تختلف قيم درجات الحرارة القابلة للضبط بشرط أن تكون ضمن هذه النطاقات وفقاً لمواصفات المنتج.



المقبض سوى عند فتح باب الجهاز وينطفئ بعد فترة من إغلاق الباب. أما في وضع الفتح، فينبط ضوء المقبض عند فتح باب الجهاز ويظل مضيئاً بشكل خافت بعد فترة من إغلاق الباب. وتُضبط وظيفة ضوء المقبض على وضع الإغلاق المضبوط مسبقاً بالمصنع.

9.*مفتاح وظيفة إيقاف تشغيل حجرة التبريد (وضع



اضغط على المفتاح لمدة 3 ثوان لتشيط وضع العطلّة. يتم تشيط وضع العطلّة وبضوء رمز العطلّة. يتم عرض "- -" على مؤشر درجة حرارة حجرة التبريد ولا تقوم حجرة التبريد بالتبريد بشكل فعال. ينبغي ألا تحتفظ بطعامك في حجرة المبرد عند تشيط هذه الوظيفة. تستمر الحجرات الأخرى في التبريد وفقاً لدرجات الحرارة المضبوطة سلفاً. اضغط على المفتاح لمدة 3 ثوان مرة أخرى لإلغاء هذه الوظيفة.

10.*مفتاح تحويل الحجرة 3

عند الضغط على مفتاح تحويل المقصورة لمدة 3 ثوان، يتم تبديل مقصورة التجميد بين أوضاع التبريد، والإيقاف، والتجميد على التوالي. إذا تم تشغيله

٦ تشغيل المنتج

اقرأ "تعليمات الأمان" أولاً!

- يجب استخدام المنتج لتخزين المواد الغذائية فقط.
- أغلق صمام المياه إذا كنت ستبقى بعيداً عن المنزل (على سبيل المثال في إجازة) ولن تستخدم صانعة الثلج أو موزع المياه لفترة طويلة من الوقت. خلاف ذلك، قد يحدث تسرب للمياه.

فصل قابس المنتج عن الكهرباء

- قم بإزالة الطعام لمنع الروائح.
- انتظر حتى يذوب الثلج، وقم بتنظيف الجزء الداخلي واتركه يجف، واترك الأبواب مفتوحة لتجنب إتلاف البلاستيك الداخلي للجسم.

٦-١ استبدال مصباح الإضاءة

اتصل بالخدمة المعتمدة عند الرغبة في استبدال المصباح / LED المستخدم للإضاءة في ثلاجتك. لا يمكن استخدام المصباح (المصابيح) المستخدمة في هذا الجهاز لإضاءة المنزل. الغرض من استخدام هذا المصباح هو مساعدة المستخدم على وضع الطعام في الثلاجة / المبرد بأمان وراحة.

يحتوي هذا المنتج على مصدر إضاءة من فئة الطاقة "G".

يجب استبدال مصدر الإضاءة في هذا المنتج بواسطة فني إصلاح مؤهل.

٦-٢ تخزين الطعام في حجرة المجمد والمبرد

تخزين الطعام في مقصورة المجمد

- يمكنك تشيط وظيفة التجميد السريع قبل 4-6 ساعات من وظيفة التجميد وإجراء تبريد أسرع.
- ضع الوجبات الساخنة في درجة حرارة الغرفة قبل وضعها في مقصورة المجمد.
- يجب تقسيم الأطعمة المراد تجميدها إلى حصص حسب الكمية المراد استهلاكها، مع تجميدها في عبوات منفصلة.
- يوصى بتعبئة الأطعمة قبل وضعها في المجمد.
- من أجل منع انتهاء صلاحية وقت التخزين، اكتب تاريخ التجميد ووقته واسم المنتج على العبوة وفقاً لأوقات تخزين الأطعمة المختلفة.

- تجنب شراء الأطعمة التي تكون عبواتها مغطاة بالثلج وما إلى ذلك. وهذا يعني أنه يمكن إذابة المنتج جزئياً وإعادة تجميده. تؤثر درجة الحرارة على جودة الطعام.
- لا تفرط في وقت التخزين الذي أوصى به منتج الطعام. قم بإزالة الطعام بالقدر الذي تحتاجه فقط من المجمد.
- باستثناء الحالات التي تتوفر فيها ظروف بيئية شديدة، إذا تم ضبط منتجك (في جدول القيم المحددة الموصى بها) على القيم المحددة المحددة، فإن الطعام يحافظ على نضارته لفترة أطول في كل من حجرة المنتج الطازج ومقصورة المجمد.
- إذا تم ضبط حجرة الطعام الطازج على درجة حرارة منخفضة، فقد يتم تجميد الفواكه والخضروات الطازجة جزئياً.

- استهلك الأطعمة التي قمت بإذابتها بسرعة. لا يمكن تجميد الأطعمة التي تم إذابتها مرة أخرى إلا إذا تم طهيها. ليس من الآمن تناول الأطعمة الطازجة المجمدة دون طهيها بعد إذابتها.
- أثناء تجميد الأطعمة الطازجة، لا تجعلها تتلامس مع الأطعمة المجمدة بالفعل. بخلاف ذلك، سيتم إذابة الأطعمة المجمدة.

تخزين الأطعمة المباعة مجمدة

- اتبع دائماً تعليمات المنتج فيما يتعلق بالوقت الذي يُطلب منك خلاله تخزين الأطعمة الخاصة بك. لا تفرط في الوقت المحدد في هذه التعليمات!
- من أجل حماية جودة الطعام، حافظ على الفاصل الزمني بين معاملة الشراء والتخزين قصيراً قدر الإمكان.
- اشترى الأطعمة المجمدة التي يتم تخزينها في -18 درجة مئوية أو درجات حرارة منخفضة.

جدول القيم الموصى بها

إعداد مقصورة المجمد	ضبط مقصورة المبرد	الملاحظات
18°C-	4°C	هذا هو الإعداد الافتراضي المفضل. يوصى بهذا الإعداد إذا كانت درجة الحرارة المحيطة أقل من 30 درجة مئوية.
20-، أو 22- أو 24- درجة مئوية	4°C	يوصى بهذه الإعدادات لدرجات الحرارة التي تتعدى 30 مئوية.
التجميد السريع	4°C	استخدمه عندما تود تجميد طعامك خلال زمن قصير. عندما تنتهي العملية، ستعود إعدادات المنتج إلى الوضع السابق.
18- مئوية أو أقل	2°C	استخدم هذه الإعدادات إذا كنت تعتقد أن حجرة المبرد ليست باردة بما يكفي بسبب درجة حرارة المحيط أو فتح الباب بشكل متكرر.

التجميد السريع

1. نشط وظيفة التجميد السريع قبل 24 ساعة من وضع أطعمتك الطازجة.
2. بعد 24 ساعة من الضغط على الزر، ضع طعامك الذي تريد تجميده على الرف الأول بسعة تجميد أعلى.
3. تلغى وظيفة التجميد السريع تلقائياً بعد فترة زمنية محددة.

تفاصيل المجمد

وفقاً لمعايير IEC 62552، يجب أن يتمتع المجمد بالقدرة على تجميد 4.5 كجم من المواد الغذائية عند 18- درجة مئوية أو درجات حرارة منخفضة عند درجة حرارة الغرفة 25 درجة مئوية خلال 24 ساعة لكل 100 لتر من حجم حجرة التجميد.

يمكن الاحتفاظ بالأطعمة لفترات طويلة عند درجة حرارة 18- أو أقل.

يمكنك المحافظة على نضارة الأطعمة لعدة أشهر (في المجمد أو تحت درجة - 18 مئوية).

يجب أن لا تتلامس الأطعمة المراد تجميدها مع الأطعمة المجمدة سلفاً في الداخل لتجنب الذوبان الجزئي.

اسلق الخضار ونقي الماء لإطالة زمن تخزين المجمدات. ضع الطعام في أغلفة مانعة للهواء بعد التقيية وخبزها في المجمد. يجب عدم تجميد الموز، الطماطم، الخس، الكرفس، البيض المسلوق، البطاطا والأطعمة المماثلة. في حالة تجميد هذه الأطعمة، ستأثر القيم الغذائية ونوعية الأكل سلباً فقط. والتعفن الذي من شأنه أن يهدد صحة الإنسان ليس موضع تساؤل.

وضع الطعام

أرفف مقصورة المجمد: الأصناف المجمدة المختلفة بما يشمل اللحم، السمك، الأيس كريم، الخضار، الخ.
أرفف مقصورة المبرد: أصناف الطعام داخل القدور، الأطباق المغطاة والعلب المغطاة، البيض (في علبة مغطاة)

أرفف باب مقصورة المبرد: الأطعمة والمشروبات الصغيرة والمعبأة

درجة الخضروات: الخضروات والفواكه

مقصورة الأطعمة الطازجة: الأطعمة اليومية (طعام الإفطار، اللحوم التي تستهلك خلال فترة قصيرة)

تخزين الطعام في مقصورة المبرد

- ترتفع درجات حرارة المقصورة بشكل بارز إذا تم فتح باب الحجرة وإغلاقه بشكل متكرر وظل مفتوحاً لفترة طويلة، فقد يؤدي ذلك إلى تقليل العمر الافتراضي للطعام وتلف الطعام.
- من أجل عدم إحداث تغييرات في الرائحة والمذاق، يجب تخزين الطعام في عبوات مغلقة.
- لا تخزن الكثير من الطعام الزائد في ثلاجتك.
- لتحقيق تبريد أفضل ومتجانس، ضع الطعام بشكل منفصل بحيث يمكن للهواء البارد أن يتجول فيه.
- قم بتوفير تدفق الهواء من خلال ترك مسافة بين الطعام والجدار الداخلي. إذا قمت بوضع الطعام على الحائط الخلفي، فقد يتجمد الطعام.
- أترك الوجبات الساخنة المطبوخة حتى تصل إلى درجة حرارة الغرفة قبل وضعها في الثلاجة. بعد ذلك، يمكنك وضع الوجبة الفاترة في الأرفف السفلية للثلاجة. لا تضع الوجبات الفاترة بالقرب من الأطعمة التي قد تفسد بسهولة.
- قم بإذابة طعامك المجمد في حجرة الطعام الطازج. وبالتالي، يمكنك تبريد حجرة الطعام الطازج باستخدام الأطعمة المجمدة وتوفير الطاقة.

- قد يؤدي تخزين الفواكه الاستوائية غير الناضجة (المانجو وأصناف البطيخ والبابايا والموز والأناناس) في الثلاجة، إلى تسريع عملية النضج، ولا ينصح بذلك لأنه سيؤدي إلى تقليل وقت التخزين.
 - يجب تخزين البصل والثوم والأصابع والخضروات الجذرية الأخرى في ظروف الغرفة المظلمة والباردة، وليس في الثلاجة.
 - إذا لاحظت تلف الطعام في الثلاجة، فتخلص من هذا الطعام ونظف الملحقات التي لامست الطعام.
 - من أجل تبريد وجبات الطعام مثل الحساء والخبثات، والتي يتم طهيها في القدور الكبيرة، يمكنك بسرعة وضعها في الثلاجة عن طريق فصلها في أوانيها الصالحة.
 - لا تضع الأطعمة غير المعبأة بالقرب من البيض.
 - احتفظ بالفواكه والخضروات بشكل منفصل وقم بتخزين كل نوع معاً (على سبيل المثال، تفاح مع تفاح وجزر مع جزر).
 - أخرج الخضروات من الكيس البلاستيكي وضعها في الثلاجة بعد لفها بمنشفة ورقية أو قطعة قماش تجفيف. إذا قمت بغسل هذا النوع من الطعام قبل وضعه في الثلاجة، فتذكر أن تجففه.
 - يمكنك إنشاء بيئة رطبة وتوفير تدفق للهواء عن طريق الاحتفاظ بالفواكه والخضروات المعرضة للجفاف في الأكياس البلاستيكية المثقبة أو غير المغلقة.
 - باستثناء الحالات التي تتوفر فيها ظروف بيئية شديدة، إذا تم ضبط منتجك (في جدول القيم المحددة الموصى بها) على القيم المحددة المحددة، فإن الطعام يحافظ على نضارته لفترة أطول في كل من حجرة المنتج الطازج ومقصورة المجمد.
- تخزين المواد الغذائية المختلفة في أماكن مختلفة حسب خصائصها.**

الموقع	الطعام
أرفف الباب	البيض
إذا كانت متوفرة، حجرة الدرجة الصفر (لطعام الإفطار)	منتجات الألبان (الزبدة والجبن)
حجرة الفواكه والخضروات أو درج الخضروات أو مقصورة EverFresh+ (إذا وجدت)	الفواكه والخضروات والنباتات الخضراء

الموقع	الطعام
إذا كانت متوفرة، حجرة الدرجة الصفر (لطعام الإفطار)	اللحوم الطازجة والدواجن والأسماك والتفانيق وما إلى ذلك الأطعمة المطبوخة
الأرفف العلوية أو رف الباب	الأطعمة الجاهزة للتقديم والمنتجات المعبأة والأطعمة المعلبة والمخللات
أرفف الباب	المشروبات والزجاجات والتوابل والوجبات الخفيفة

٧ تحذير فتح الباب

قد يختلف نظام تحذير فتح الباب في ثلاجتك تبعاً للطراز.

النسخة 1:

إذا ظل باب المنتج مفتوحاً لفترة معينة (بين 60 ثانية و 120 ثانية)، تصدر إشارة تحذير صوتية ، اعتماداً على طراز المنتج، يمكن أيضاً عرض إشارة تحذير مرئية (وميض ضوئي). إذا أغلقت باب الجهاز أو ضغطت على أي زر على شاشة الجهاز، إن وجدت، فستتوقف صوت التحذير.

٨ مواصفات المنتج

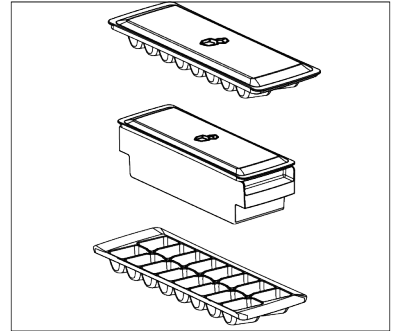
١-٨ منطقة تخزين الثلج

حاوية الثلج

تسمح لك علبة الثلج بأخذ الثلج من الثلاجة بسهولة.

استخدام علبة الثلج

1. أخرج علبة الثلج من مقصورة المجمد.
2. املاّ العلبة بالماء.
3. ضع علبة الثلج في حجرة المجمد. سيكون الثلج جاهزاً بعد ساعتين تقريباً.
4. أخرج علبة الثلج من حجرة المجمد وقم بإمالتها قليلاً فوق الحامل الذي ستستخدمه للتقديم. سيسكب الثلج بسهولة في حامل التقديم.



النسخة 2:

يتم إصدار تحذير فتح الباب، إذا ظل باب الجهاز مفتوحاً لفترة زمنية معينة (بين 60 ثانية و 120 ثانية). يُطلق تحذير فتح الباب تدريجياً. أولاً، يبدأ صوت تحذير مسموع. بعد 4 دقائق، إذا كان الباب لا يزال مفتوحاً، يتم تنشيط تحذير مرئي (وميض ضوئي). سيتأخر تحذير فتح الباب لفترة زمنية معينة (بين 60 ثانية و 120 ثانية) عند الضغط على أي مفتاح على شاشة المنتج، إن وجدت. ثم ستبدأ العملية مرة أخرى. سيتم إيقاف تحذير فتح الباب بمجرد إغلاق باب الجهاز.

٢-٨ حامل البيض

يمكنك وضع حامل البيض على الباب أو رف الجسم الذي تريده. في حالة وضع حامل البيض على رف الهيكل، نوصيك باختيار أرفف سفلية أكثر برودة.

- لا تضع حامل البيض في حجرة الفريزر أبداً.

٣-٨ رف الخضروات

تم تصميم درج خضار الثلاجة للحفاظ على الخضار طازجة من خلال المحافظة على الرطوبة. لهذه الغاية، يتم تكييف التوزيع الكلي للماء البارد في درج الخضار. احتفظ بالفواكه والخضار في هذه الحجرة. احتفظ بالخضروات ذات الأوراق الخضراء والفواكه بشكل منفصل لإطالة عمرها.

٤-٨ درج التحكم في الرطوبة

مع ميزة التحكم في درجة الرطوبة، يتم التحكم في رطوبة الخضروات والفواكه ويتم الاحتفاظ بالطعام طازجاً لفترة أطول من الوقت.

في الحالات التي لا يفضل فيها تماس خضراوات والخضروات المماثلة الحساسة لفقدان الرطوبة في مثل الورق الذي يحتوي على مستوى معين من المسامية بحيث يضمن النظافة.

لا تضع الفواكه التي تحتوي على نسبة عالية من إنتاج غاز الإيثيلين مثل الكمثرى والمشمش والخوخ وخاصة التفاح في نفس درج الخضروات والفواكه الأخرى. قد يتسبب غاز الإيثيلين الخارج من هذه الفاكهة في نضوج الخضروات والفواكه الأخرى بشكل أسرع وتعفنها في فترة زمنية أقصر.

نوصيك بوضع الخضار الورقية مثل الخس والسبانخ والخضروات المماثلة الحساسة لفقدان الرطوبة في درج الخضروات، وليس في وضع مستقيم على جذورها، ولكن أفضلاً قدر الإمكان.

عند وضع الخضار، ضع الخضار الثقيلة والقاسية في الأسفل، والخضار الخفيفة والطيبة في الأعلى، مع مراعاة أوزان الخضار الخاصة.

لا تترك الخضار في أكياس بلاستيكية في درج الخضروات. يؤدي تركها في أكياس بلاستيكية إلى تعفن الخضار في وقت قصير.

٩ الصيانة والتنظيف

- بالنسبة للمنتجات التي لا تحتوي على ميزة تبريد مضاد للصقيع No-Frost، قد تظهر قطرات الماء وتلج بسبب الإصبع على الجدار الخلفي لمقصورة المبرد. لا تنظف، ولا تستخدم الزيوت أو المواد الشاهبة.
- استخدم فقط قطعة قماش من الألياف الدقيقة مبللة قليلاً لتنظيف السطح الخارجي للمنتج. قد تسبب الإسفنج وأنواع تنظيف الملابس الأخرى خدوشاً.
- لتنظيف جميع المكونات القابلة للإزالة أثناء تنظيف السطح الداخلي للمنتج، اغسل هذه المكونات بمحلول معتدل يتكون من الصابون والماء والكريونات. اشطفه وجففه كلياً. امنع ملامسة الماء لمكونات الإضاءة ولوحة التحكم.
- لا تستخدم الخل أو الكحول المحمر أو مواد التنظيف الأخرى التي تحتوي على الكحول على أي سطح داخلي.

الأسطح الخارجية من الفولاذ المقاوم للصدأ

استخدم مادة تنظيف غير كاشطة مصنوعة من الفولاذ المقاوم للصدأ وقم بتطبيقها بقطعة قماش ناعمة وخالية من النسالة. للتلميع، امسح السطح برفق بقطعة قماش من الألياف الدقيقة مبللة بالماء واستخدم قطعة قماش شمواه جافة للتلميع. اتبع دائماً اتجاه عروق الفولاذ المقاوم للصدأ.

منع الروائح

تم تصنيع المنتج من مواد خالية من الروائح. ومع ذلك، فإن تخزين الطعام بشكل غير مناسب والتنظيف غير المناسب للأسطح الداخلية قد يؤدي إلى ظهور الروائح.

- اقرأ "تعليمات الأمان" أولاً!
- قبل تنظيف منتجك، فصلها عن الكهرباء أو قم بإلغاء تنشيط المصهر المتصل بها.
- لا تضع بديك أو قديمك أو أي أشياء معدنية تحت الثلاجة أو بين الثلاجة والأرضية لأي سبب كان. فقد يحدث سحق لبديك أو قد تتسبب أي حافة حادة في حدوث إصابات شخصية.
- لا تستخدم أدوات حادة أو كاشطة لتنظيف المنتج. لا تستخدم مواد مثل مواد التنظيف المنزلية والصابون والمنظفات والغاز والبنزين والكحول والشمع وما إلى ذلك.
- يجب إزالة الغبار من شبكة التهوية الموجودة في الجزء الخلفي من المنتج مرة واحدة في السنة على الأقل (بدون فتح الغطاء). نظف المنتج بقطعة قماش جافة.
- احرص على إبعاد الماء عن غطاء المصباح والأجزاء الكهربائية الأخرى.
- نظف الباب بقطعة قماش رطبة. قم بإزالة جميع المحتويات لإزالة الباب ورفوف الهيكل. قم بإزالة رفوف الباب برفعهما لأعلى. نظف الرفوف وجففها، ثم ركبها في مكانها ثانية بتمريرها من الأعلى.
- لا تستخدم الماء المحتوي على الكلور أو منتجات التنظيف على السطح الخارجي والأجزاء المطلية بالكروم من الجهاز. يسبب الكلور الصدأ على هذه الأسطح المعدنية.
- لا تستخدم الأدوات الحادة والكاشطة والصابون ومواد تنظيف المنزل والمنظفات والغاز والبنزين والورنيش والمواد المماثلة لمنع تشوه الجزء البلاستيكي وإزالة المطبوعات الموجودة عليه.
- استخدم الماء الدافئ وقماشاً ناعماً للتنظيف ثم جفف الجهاز.

- لتجنب ذلك، نظف الجزء الداخلي بماء مكرين كل 15 يوماً.
- احتفظ بالأطعمة في حوامل مغلقة، لأن الكائنات الحية الدقيقة الناتجة عن الأطعمة المحفوظة في عبوات غير محكمة الغلق تسبب رائحة كريهة.

١. استكشاف الأخطاء وإصلاحها

اقرأ "تعليمات الأمان" أولاً!

- تحقق من هذه القائمة قبل الاتصال بمركز الصيانة. من شأن ذلك توفير الوقت والمال. تتضمن هذه القائمة الشكاوى غير المرتبطة بعيوب الصناعة أو المواد. وقد لا تنطبق سمات معينة مذكورة هنا على جهازك.
- إن استمرت المشكلة بعد اتباع تعليمات هذا القسم، اتصل بالبائع أو بمركز خدمة معتمد. لا تحاول إصلاح الجهاز.

الثلاجة لا تعمل.

- قابس الطاقة غير مستقر كلياً. <<< ادفعه بحيث يستقر في المقبس كلياً.
- الصمام الموصل بالمقبس الذي يزود الجهاز بالطاقة أو الصمام الرئيسي تالف. <<< افحص الصمام.

هناك تكاثف على جانب جدار حجرة المبرد (المنطقة المتعددة، منطقة التبريد، التحكم والمنطقة المرنة).

- يتم فتح الباب بشكل متكرر. <<< احرص على عدم فتح باب المنتج كثيراً.
- المكان رطب جداً. <<< لا تضع الجهاز في أماكن رطبة.
- الأطعمة المحتوية على سوائل تحفظ في مستوعبات غير محكمة الإغلاق. <<< احتفظ بالأطعمة المحتوية على سوائل في مستوعبات محكمة الإغلاق.
- ترك الباب مفتوحاً. <<< لا تدع أبواب الثلاجة مفتوحة لفترات طويلة.
- تم ضبط منظم الحرارة على درجة حرارة باردة جداً. <<< اضبط التيرموستات على درجة حرارة مناسبة.

الضاغط لا يعمل.

- في حال حدوث انقطاع مفاجئ في التيار الكهربائي أو سحب قابس الطاقة وإعادته مرة أخرى، يصبح ضغط الغاز في نظام تبريد الجهاز

- لا تترك الأطعمة التالفة ومتهية الصلاحية في الثلاجة.

حماية الأسطح البلاستيكية

قد يتلف الزيت المنسكب على الأسطح البلاستيكية السطح، لذا يجب تنظيفه بالماء الساخن فوراً.

- غير متوازن، مما يفعل الواقي الحراري للضاغط. يعمل المنتج من جديد بعد 6 دقائق تقريباً. إذا لم يعمل الجهاز بعد هذه الفترة، اتصل بمركز الصيانة.
- إزالة الجليد غير نشطة. <<< هذا أمر طبيعي في جهاز مقاوم للصدأ. تتم إزالة الجليد دورياً.
- الجهاز غير موصل بالكهرباء. <<< تأكد أن سلك الطاقة موصل بالكهرباء.
- إعداد درجة الحرارة غير صحيح. <<< اختر إعداداً صحيحاً لدرجة الحرارة.
- لا يوجد تيار كهربائي. <<< يستمر الجهاز بالعمل بشكل طبيعي حال عودة الطاقة.

يزداد ضجيج تشغيل الثلاجة أثناء الاستعمال.

- وقد يتباين أداء عمل الجهاز بناء على تغيرات درجة حرارة المكان. هذا أمر طبيعي ولا يعتبر عطلاً.

تعمل الثلاجة لفترة زمنية طويلة.

- ربما يكون المنتج الجديد أكبر من المنتج السابق. تعمل الأجهزة الأكبر فترات زمنية أطول.
- ربما تكون درجة حرارة الغرفة عالية. <<< يعمل الجهاز فترات طويلة في درجات الحرارة العالية.
- ربما تم توصيل الجهاز بالكهرباء مؤخراً أو تم وضع صنف طعام جديد داخله. <<< يستغرق الجهاز فترة أطول لبلوغ درجة الحرارة المعينة عند توصيله بالكهرباء حديثاً أو عند وضع صنف طعام جديد داخله. هذا أمر طبيعي.
- ربما تم وضع كميات كبيرة من الطعام الساخن في الجهاز مؤخراً. <<< لا تضع الطعام الساخن داخل الجهاز.
- تم فتح الأبواب كثيراً أو تركت مفتوحة لفترات طويلة. <<< يتسبب الهواء الساخن المتحرك في الداخل في عمل الجهاز فترة أطول. لا تفتح الأبواب كثيراً.
- ربما يكون باب المجمد أو المبرد موارباً. <<< تأكد أن الأبواب مغلقة كلياً.

- ربما يكون الجهاز مضبوط على درجة حرارة متدنية جدا. <<< اضبط درجة الحرارة على درجة أعلى وانتظر حتى يصل الجهاز إلى درجة الحرارة المرغوبة.
- ربما تكون فلكة باب المبرد أو المجمد متسخة، أو مهترئة أو مكسورة أو غير مستقرة. <<< نظف أو استبدل مانع التسرب. تتسبب فلكة الباب الثالثة/ المهترئة في عمل الجهاز لفترات طويلة للحفاظ على درجة الحرارة الحالية.

درجة حرارة المجمد منخفضة جدا، لكن درجة حرارة المبرد ملائمة.

- تم ضبط درجة حرارة مقصورة المجمد على درجة متدنية جدا. <<< اضبط درجة حرارة مقصورة المجمد على درجة أعلى وافحص مرة أخرى.

درجة حرارة المبرد منخفضة جدا، لكن درجة حرارة المجمد ملائمة.

- تم ضبط درجة حرارة حجرة المبرد على درجة متدنية جدا. <<< اضبط درجة حرارة حجرة المبرد على درجة أعلى وافحص مرة أخرى.

الأطعمة المحفوظة في جوارير حجرة المبرد متجمدة.

- تم ضبط درجة حرارة حجرة المبرد على درجة متدنية جدا. <<< اضبط درجة حرارة حجرة المبرد على درجة أعلى وافحص مرة أخرى.

درجة الحرارة في المبرد أو المجمد عالية جدا.

- تم ضبط درجة حرارة حجرة المبرد على درجة عالية جدا. <<< يؤثر إعداد درجة حرارة حجرة المبرد على درجة حرارة مقصورة المجمد. انتظر حتى تصل الأجزاء ذات الصلة إلى مستوى درجة الحرارة المرغوبة عبر تغيير درجة حرارة مقصورة المجمد أو المبرد.

- تم فتح الأبواب كثيرا أو تركت مفتوحة لفترات طويلة. <<< لا تفتح الأبواب كثيرا.

- ربما يكون الباب مواربا. <<< أغلق الباب كليا.
- ربما تم توصيل الجهاز بالكهرباء مؤخرا أو تم وضع صنف طعام جديد داخله. <<< هذا أمر طبيعي.
- يستغرق الجهاز فترة أطول لبلوغ درجة الحرارة المعينة عند توصيله بالكهرباء حديثا أو عند وضع صنف طعام جديد داخله.

- ربما تم وضع كميات كبيرة من الطعام الساخن في الجهاز مؤخرا. <<< لا تضع الطعام الساخن داخل الجهاز.

الاهتزاز أو الضجيج.

- السطح ليس مسطحا أو متينا <<< إذا كان المنتج يهتز عند تحريكه ببطء، فاضبط الحامل لموازنة المنتج. تأكد أن الأرض متينة لدرجة تحمل الجهاز.
- قد تحدث أية مواد موضوعة على الجهاز ضجيجا. <<< قم بإزالة أية مواد وضعت على الجهاز.
- يصدر الجهاز ضجيجا يشبه تدفق السوائل، أو الرش، الخ.
- يتخلل مبادئ تشغيل الجهاز تدفق السائل والغاز. <<< هذا أمر طبيعي ولا يعتبر عطلا.

هناك صوت كهبوب الرياح يأتي من الجهاز.

- يستخدم الجهاز مروحة في عملية التبريد. هذا أمر طبيعي ولا يعتبر عطلا.

هناك تكاثف على الجدران الداخلية للجهاز.

- يزيد الطقس الحار أو الرطب من تشكل الصقيع والتكاثف. هذا أمر طبيعي ولا يعتبر عطلا.
- تم فتح الأبواب كثيرا أو تركت مفتوحة لفترات طويلة. <<< لا تفتح الأبواب كثيرا؛ إذا كانت مفتوحة، أغلقها.
- ربما يكون الباب مواربا. <<< أغلق الباب كليا.

هناك تكاثف على السطح الخارجي للجهاز أو بين الأبواب.

- ربما يكون جو المكان رطبا، وهذا أمر طبيعي في الجو الرطب. <<< سيبتدد التكاثف عندما تقل الرطوبة.

رائحة الجزء الداخلي سيئة.

- لا يتم تنظيف الجهاز بانتظام. <<< نظف الجزء الداخلي بانتظام مستخدما إسفنجة وماء دافئ وماء مكرين.
- قد تتسبب بعض المستوعبات ومواد التغليف بالروائح. <<< استخدم المستوعبات ومواد التغليف الخالية من الروائح.
- تم وضع الطعام في مستوعبات غير محكمة الإغلاق. <<< احتفظ بالأطعمة في مستوعبات محكمة الإغلاق. قد تنتشر الميكروبات من الأطعمة غير المغلقة مسببة الروائح الكريهة.
- تخلص من أية أطعمة فاسدة أو منتهية الصلاحية داخل الجهاز..

الباب لا يغلق.

- تسد أغلفة الطعام الباب أحيانا. <<< غير مكان الأطعمة التي تسد الأبواب.

- لا يقف الجهاز بوضع رأسي كامل على الأرض.
- <<<اضبط القواعد لموازنة الجهاز.
- السطح ليس مسطحاً أو متيباً>>> تأكد من أن السطح مسطح ومتين بدرجة كافية لتحمل المنتج.

درج الخضروات محشور.

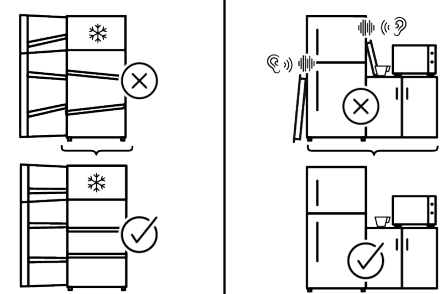
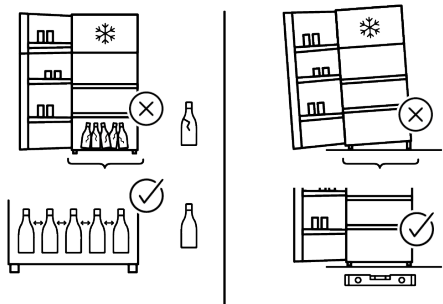
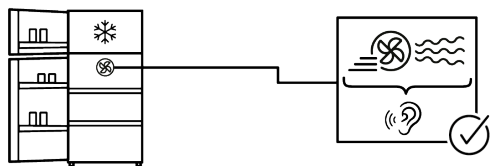
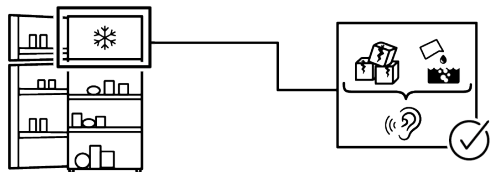
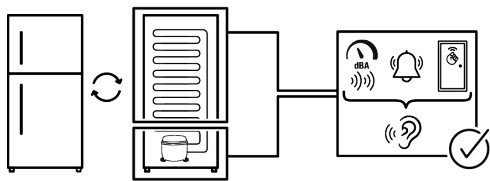
- ربما تلامس الأطعمة الجزء العلوي من الجارور.
- << أعد ترتيب الأطعمة في الجارور.

درجة الحرارة على سطح المنتج.

- يمكن ملاحظة ارتفاع درجة الحرارة بين البابين ، على الألواح الجانبية وعلى منطقة الشبكة الخلفية أثناء تشغيل المنتج. هذا أمر طبيعي ولا يتطلب صيانة.

تستمر المروحة في العمل عند فتح الباب.

- قد تستمر المروحة في العمل عندما يكون باب المجمد مفتوحاً.
- إن استمرت المشكلة بعد اتباع تعليمات هذا القسم، اتصل بالبائع أو بمركز خدمة معتمد. لا تحاول إصلاح الجهاز. هذا أمر طبيعي.





Considerations Regarding Errors of Use and Warranty الاعتبارات المتعلقة

بأخطاء الاستخدام والضمان
